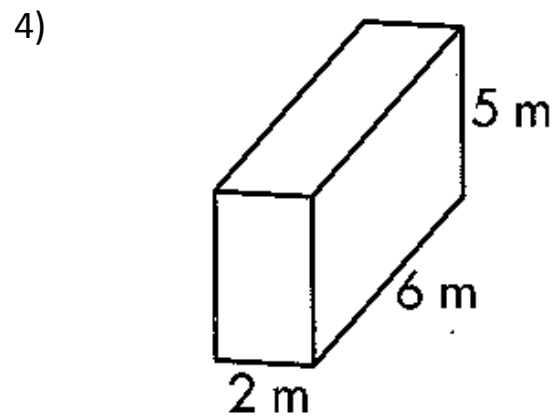
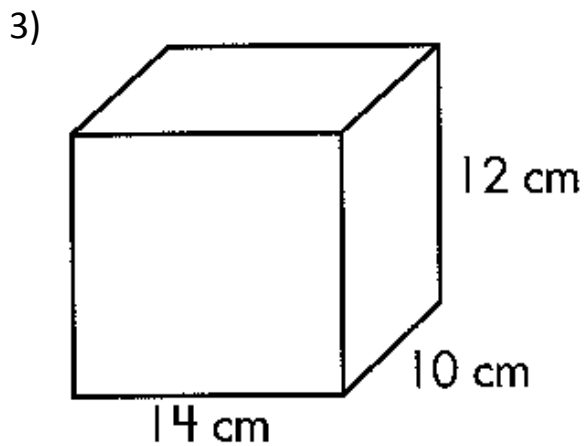
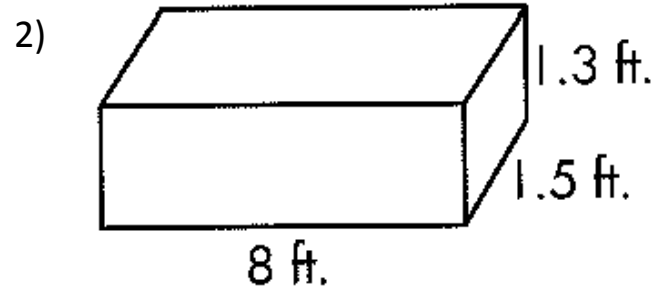
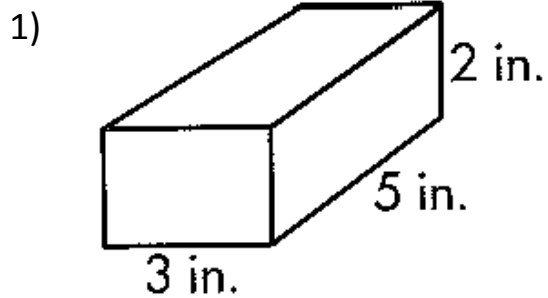


Surface Area of Rectangular Prisms

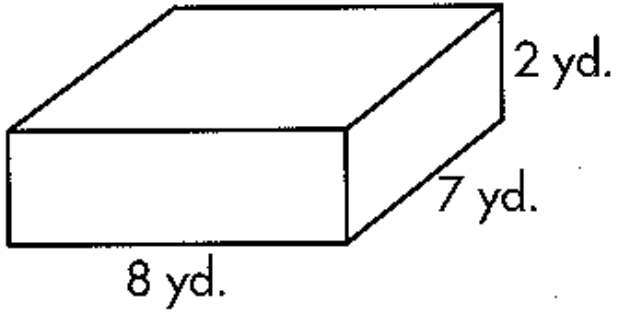
Name: _____

Accelerated 7th Grade Math

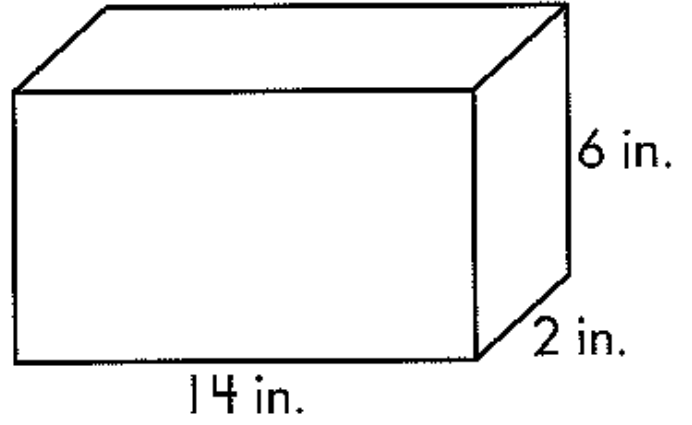
Find the surface area of the following prisms. Show your work and make sure your answers include units.



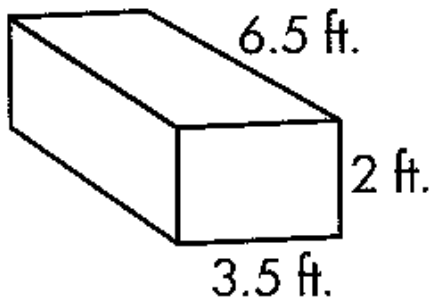
5)



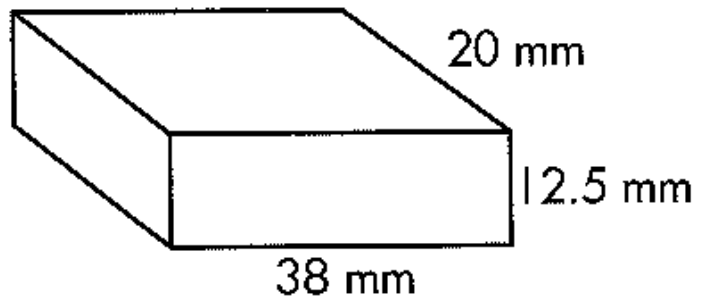
6)



7)



8)

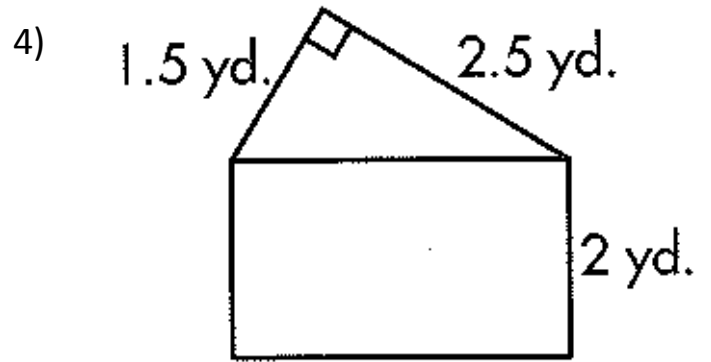
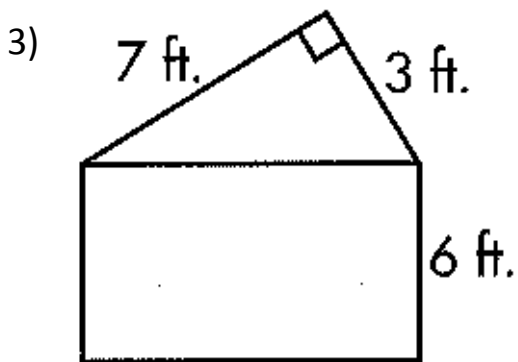
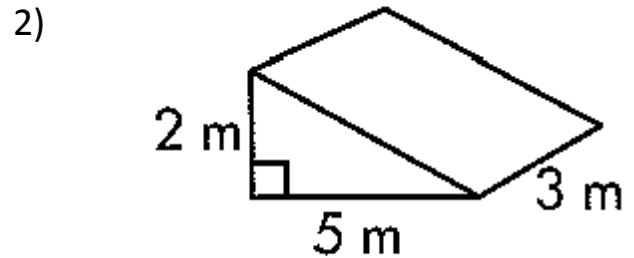
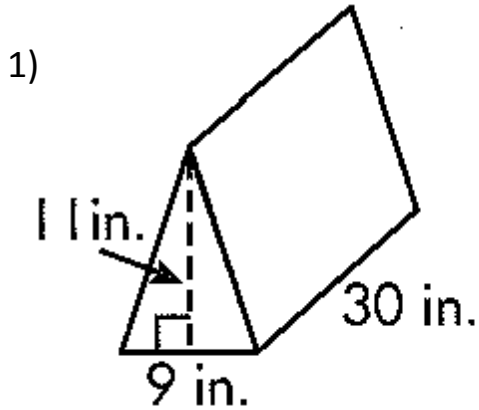


Surface Area of Triangular Prisms

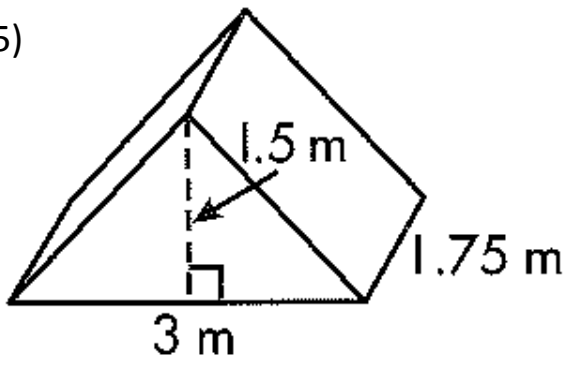
Name: _____

Accelerated 7th Grade Math

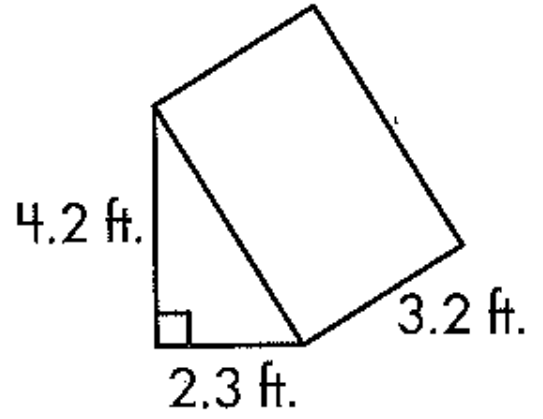
Find the surface area of the following prisms. Show your work and make sure your answers include units.



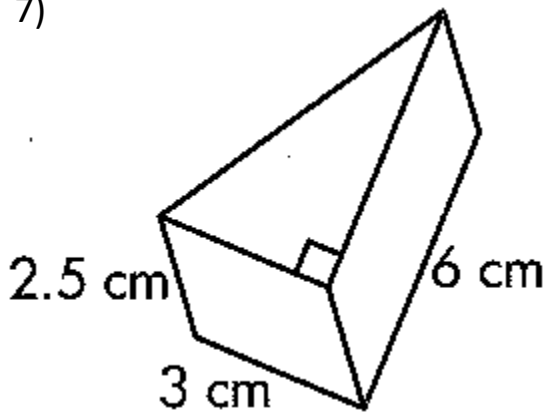
5)



6)



7)



8)

