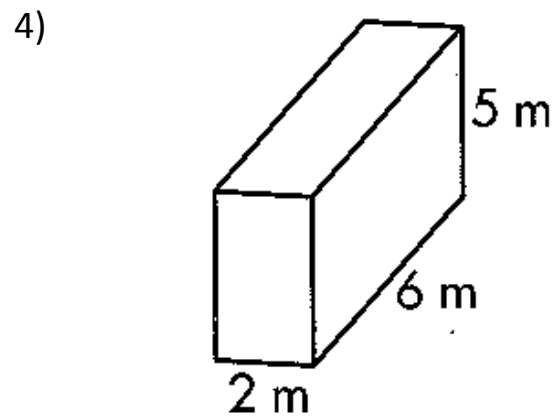
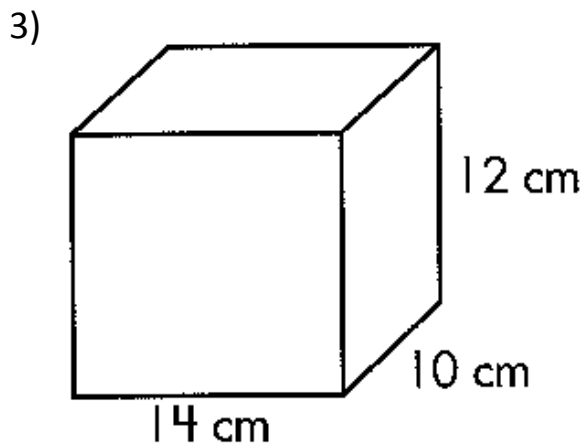
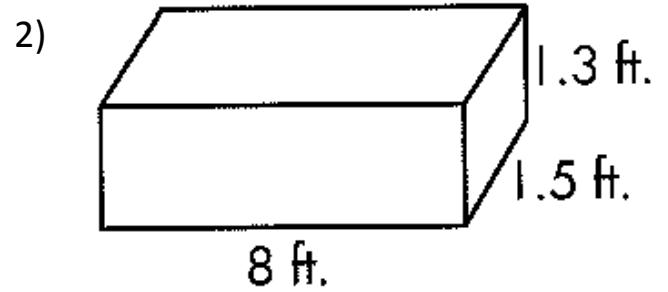
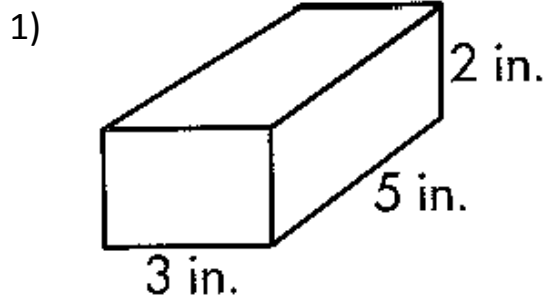


VOLUME of Rectangular Prisms

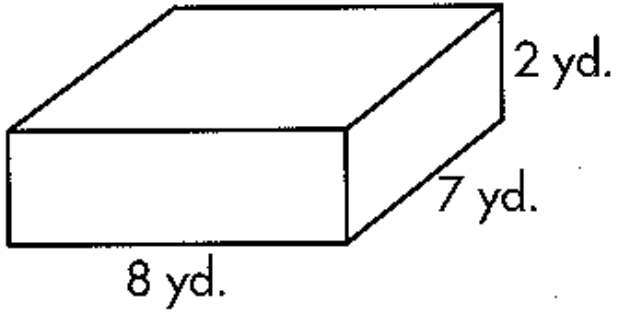
Name: _____

Accelerated 7th Grade Math

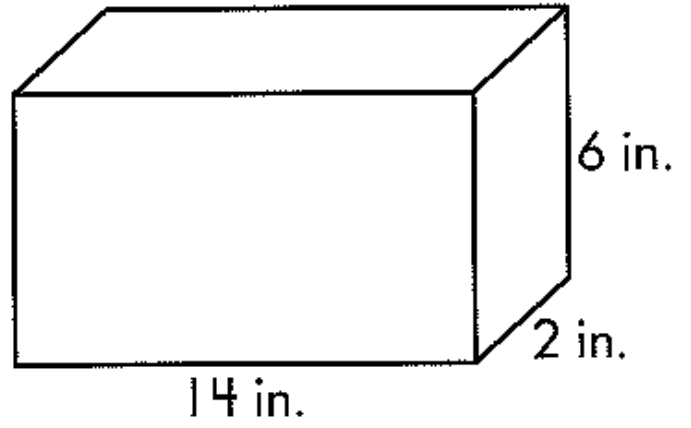
Find the VOLUME of the following prisms. Show your work and make sure your answers include units.



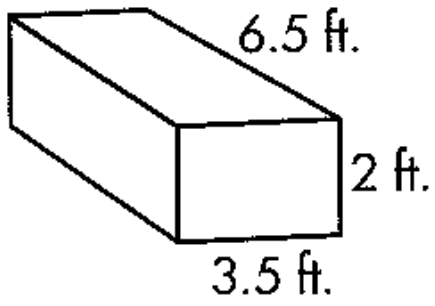
5)



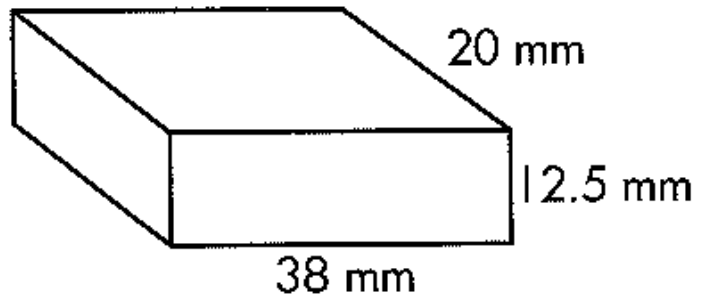
6)



7)



8)

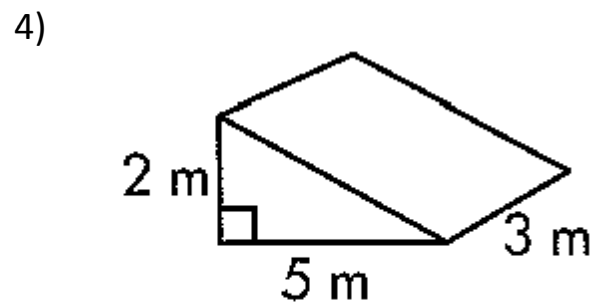
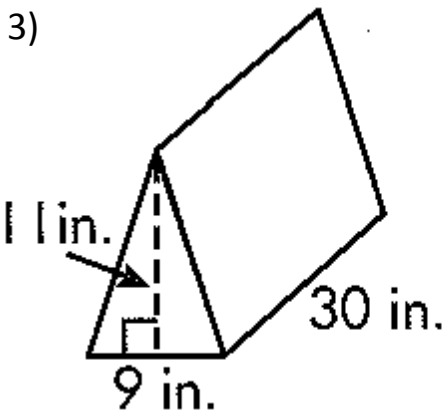
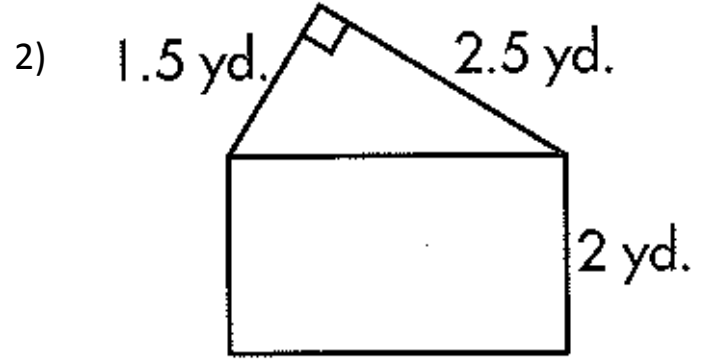
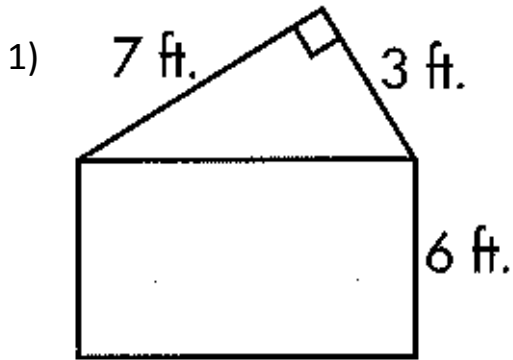


VOLUME Triangular Prisms

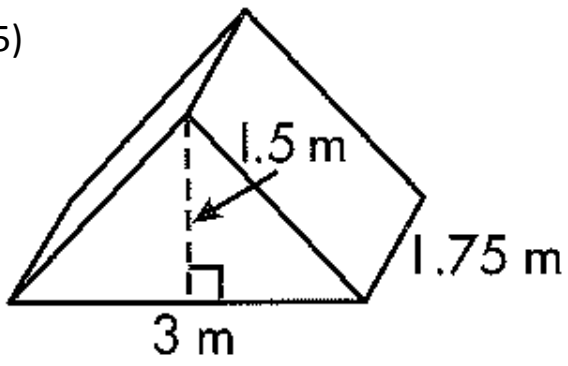
Name: _____

Accelerated 7th Grade Math

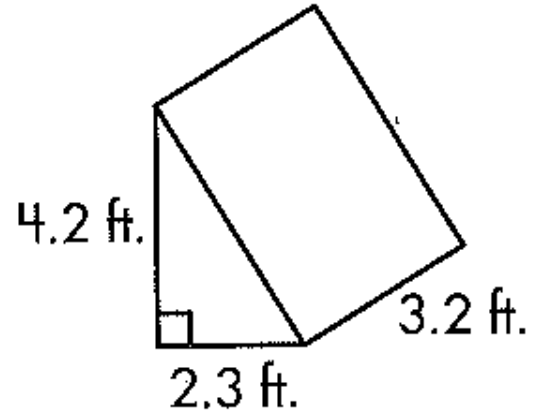
Find the VOLUME of the following prisms. Show your work and make sure your answers include units.



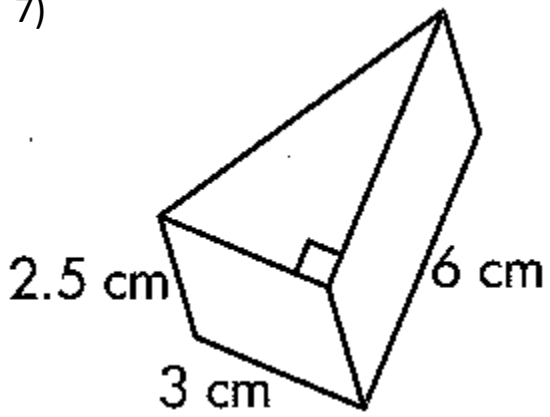
5)



6)



7)



8)

