

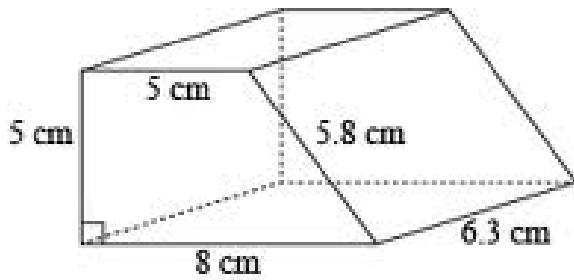
# Surface Area of Prisms

Name: \_\_\_\_\_

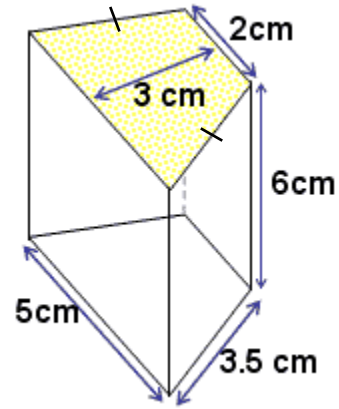
Accelerated 7<sup>th</sup> Grade Math

Find the surface area of the following prisms. Show work!

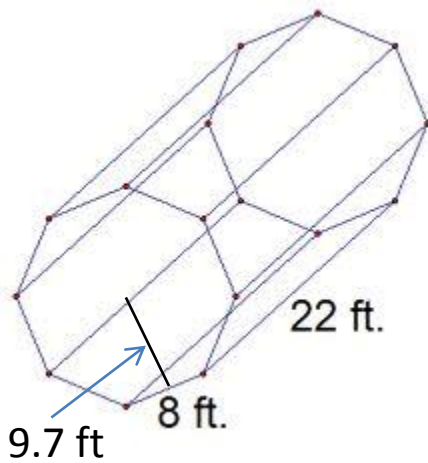
1)



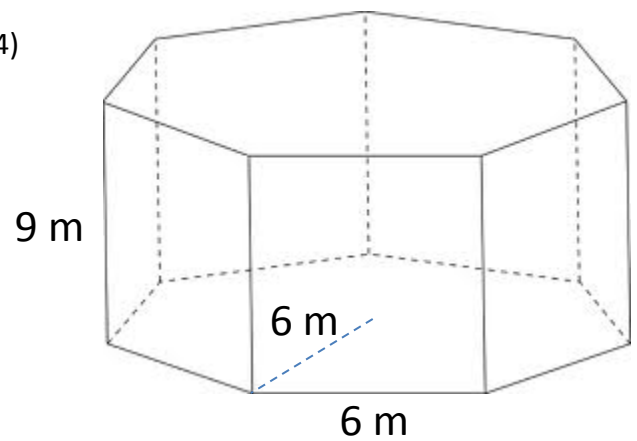
2)



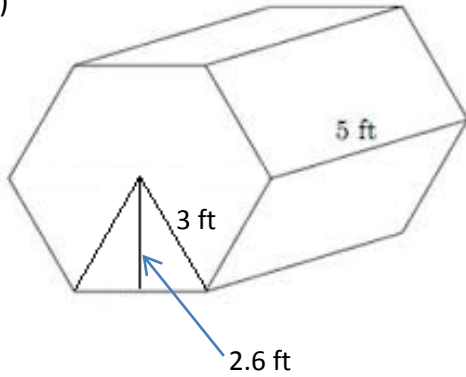
3)



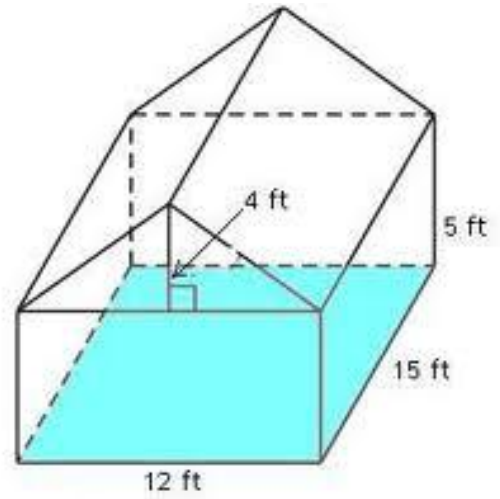
4)



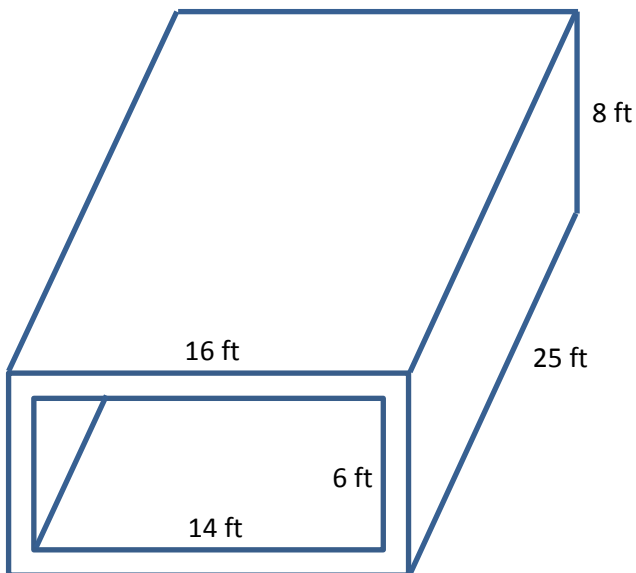
5)



6)



7) I expect **EVERYONE** to try this tough one. There are 10 sides. The hole goes all the way through the prism.



**Answers:** 1) 215 cm<sup>2</sup> 2) 105 cm<sup>2</sup> 3) 2,029 ft<sup>2</sup> 4) 596 m<sup>2</sup> 5) 137ft<sup>2</sup> 6) 714 ft<sup>2</sup> 7) 2,288 ft<sup>2</sup>