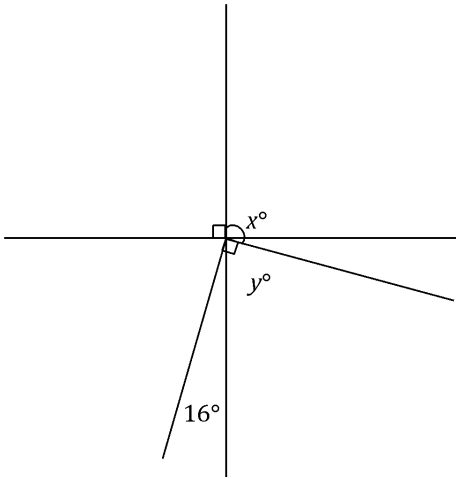


# Finding the Missing Angle Measures

NAME \_\_\_\_\_

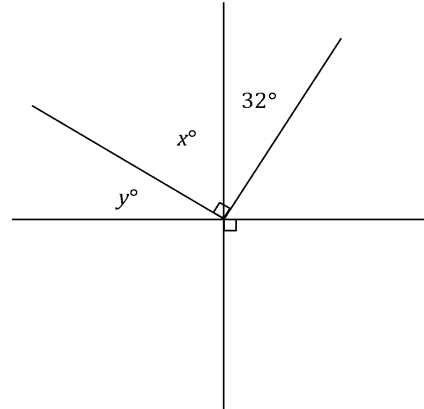
Find the missing angle measures in each picture.

1.



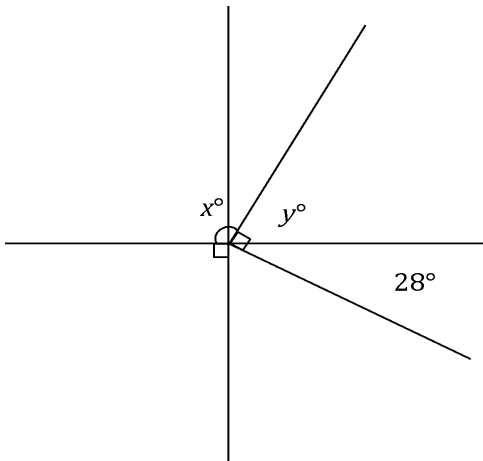
$x =$  \_\_\_\_\_  $y =$  \_\_\_\_\_

2.



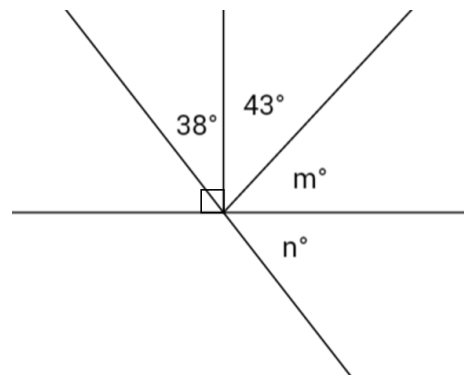
$x =$  \_\_\_\_\_  $y =$  \_\_\_\_\_

3.



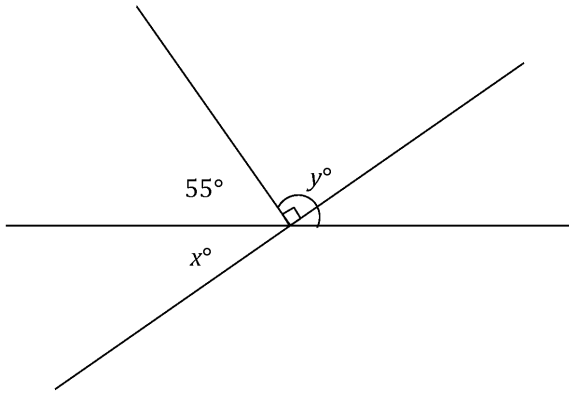
$x =$  \_\_\_\_\_  $y =$  \_\_\_\_\_

4.



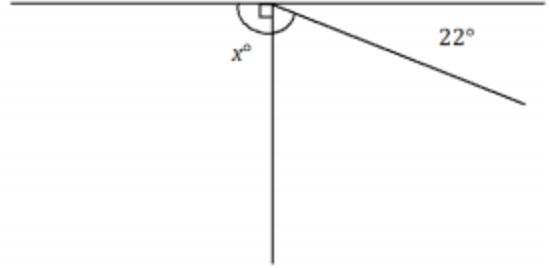
$m =$  \_\_\_\_\_  $n =$  \_\_\_\_\_

5.



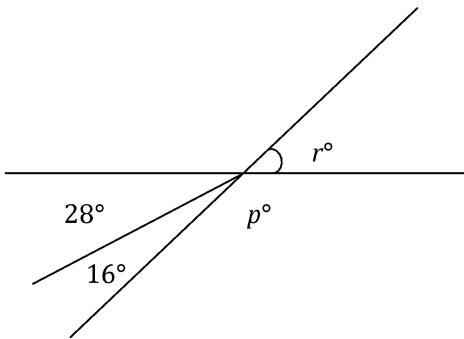
$x = \underline{\hspace{2cm}}$      $y = \underline{\hspace{2cm}}$

6.



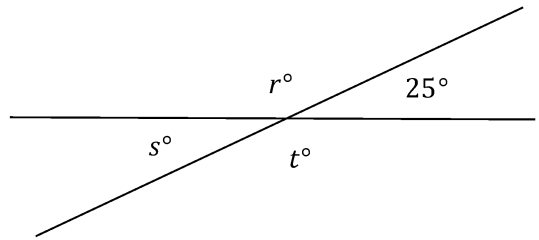
$x = \underline{\hspace{2cm}}$

7.



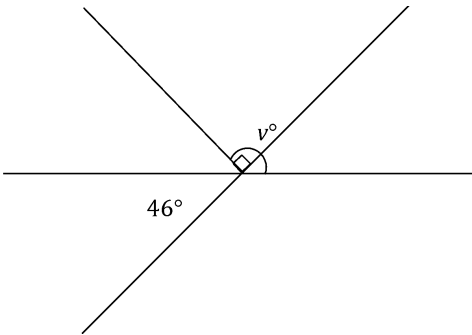
$r = \underline{\hspace{2cm}}$      $p = \underline{\hspace{2cm}}$

8.



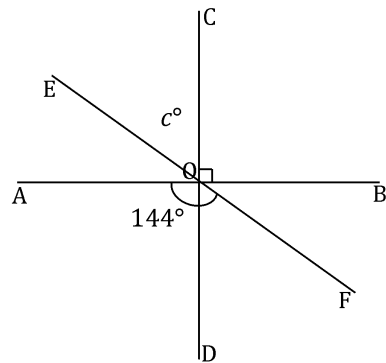
$r = \underline{\hspace{2cm}}$      $s = \underline{\hspace{2cm}}$      $t = \underline{\hspace{2cm}}$

9.



$v = \underline{\hspace{2cm}}$

10.



$c = \underline{\hspace{2cm}}$