

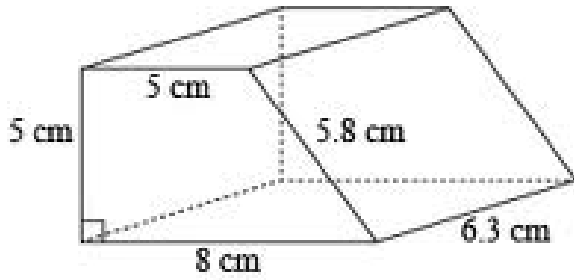
# Volume of Prisms

Accelerated 7<sup>th</sup> Grade Math

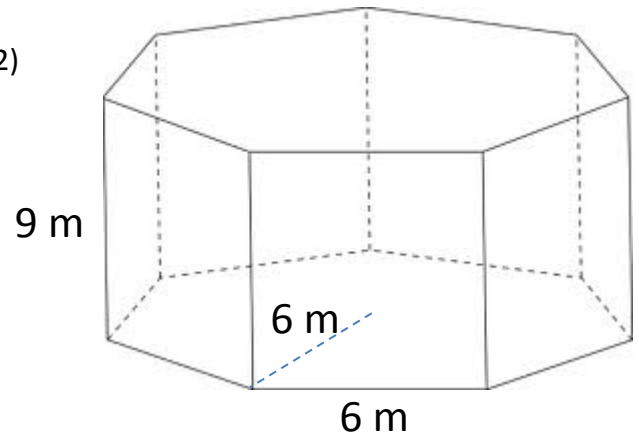
Name: \_\_\_\_\_

Find the volume of the following prisms. Show work!

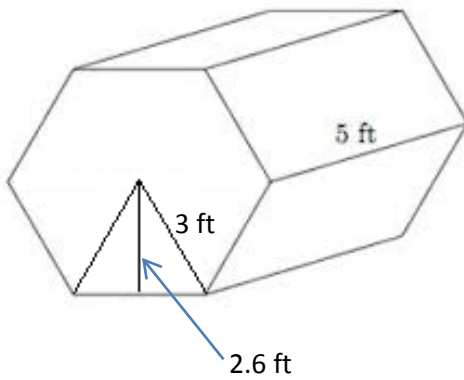
1)



2)



3



4)

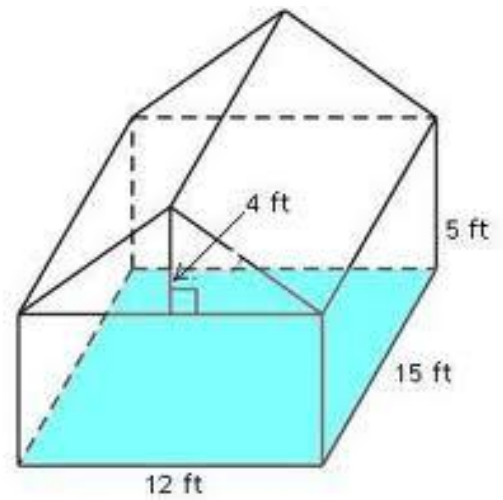
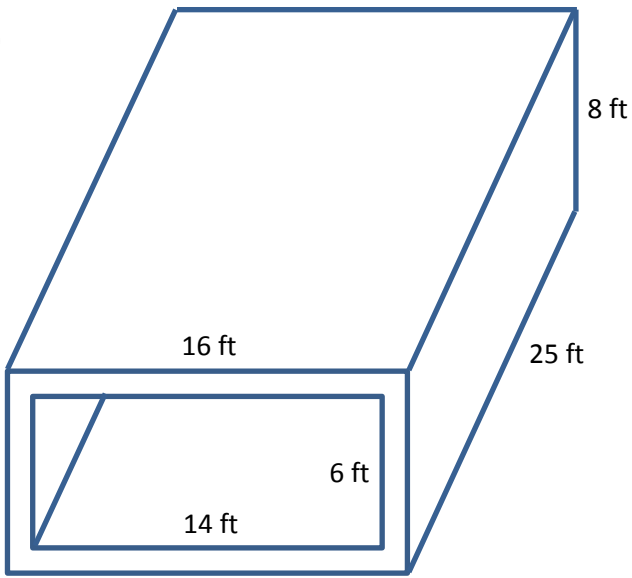
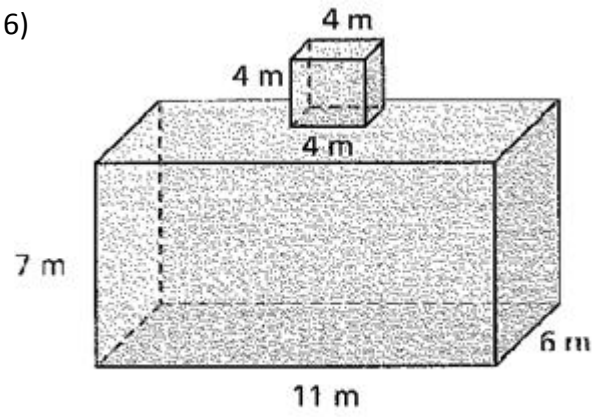


Fig:5

5)

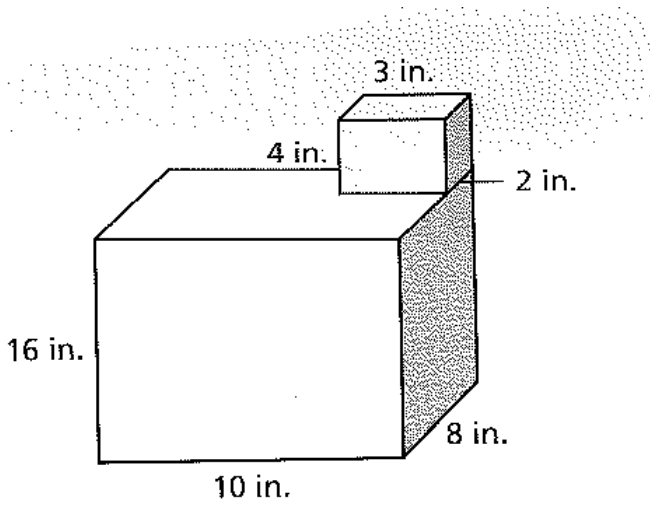


6)



For #'s 7 – 8, find the volume **AND** the surface area. Show work!

7)



8)

