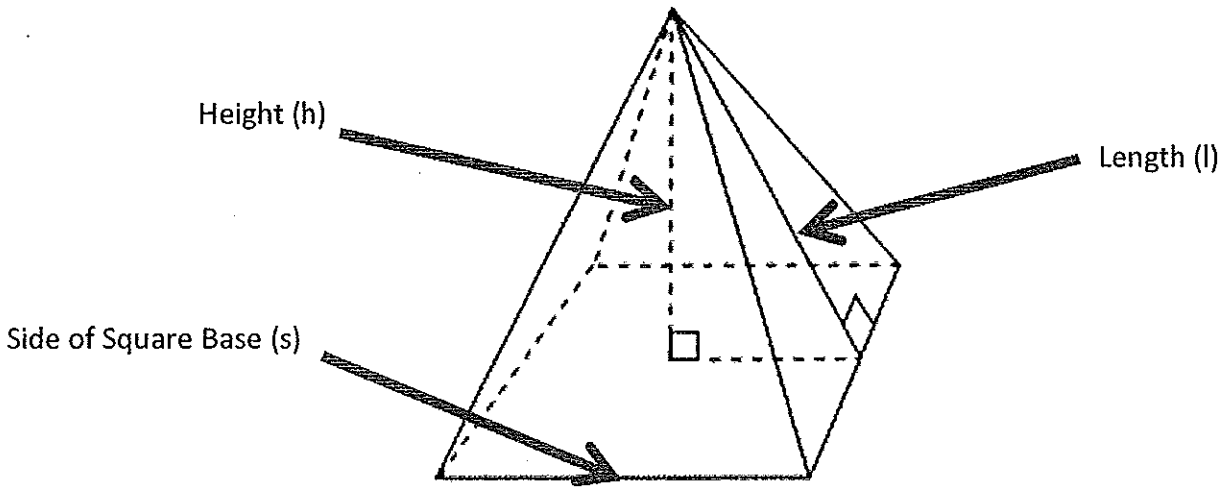


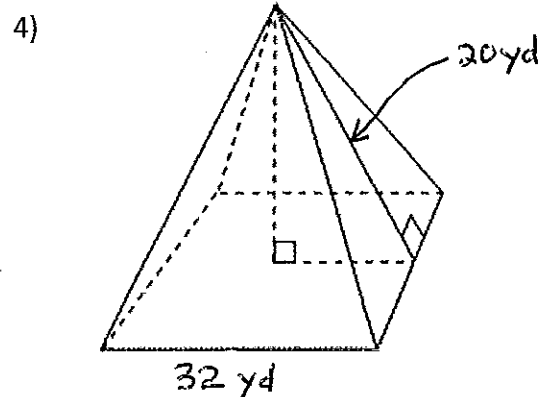
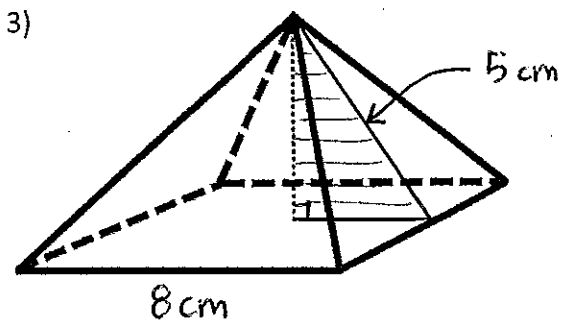
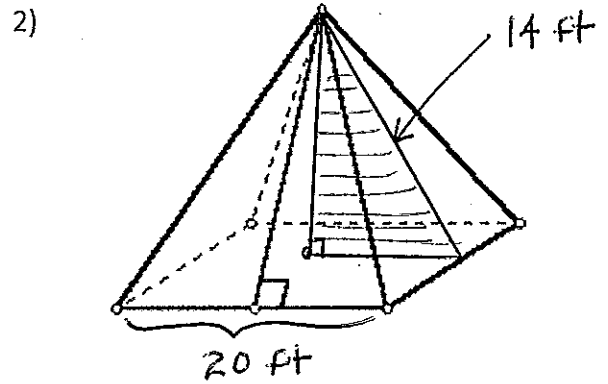
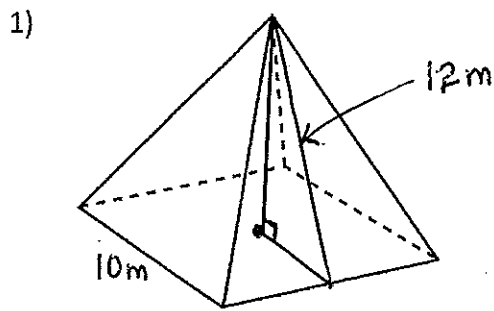
Surface Area of Pyramids

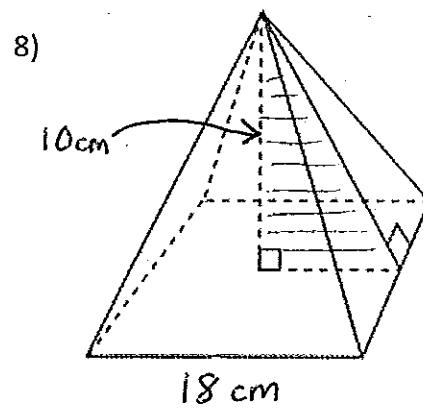
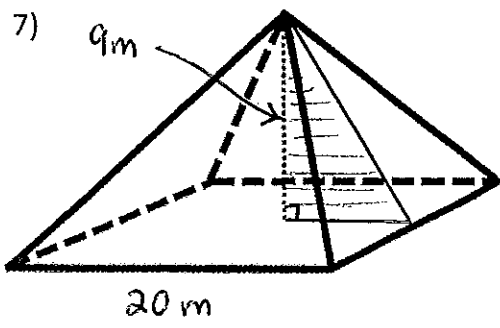
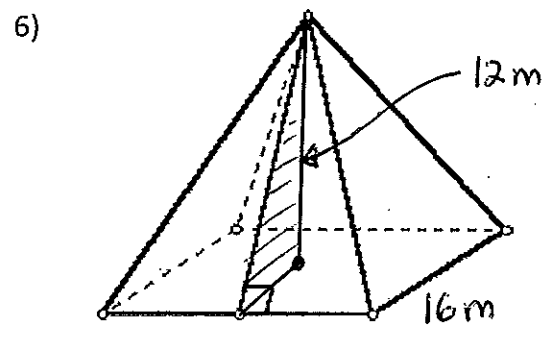
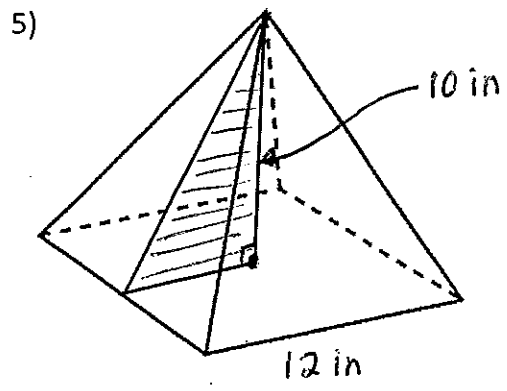
Name: _____

Pre-Algebra

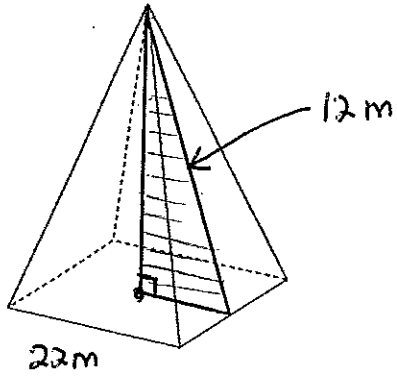


Find the surface area of the following pyramids.

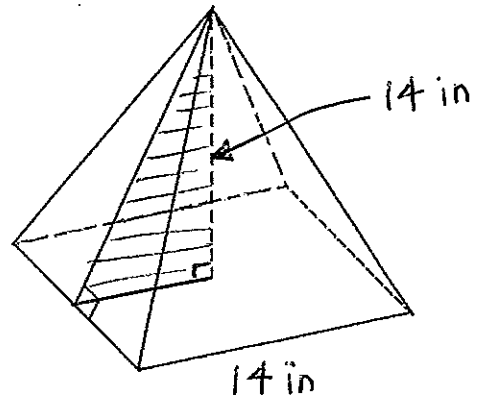




9)



10)



11)

