

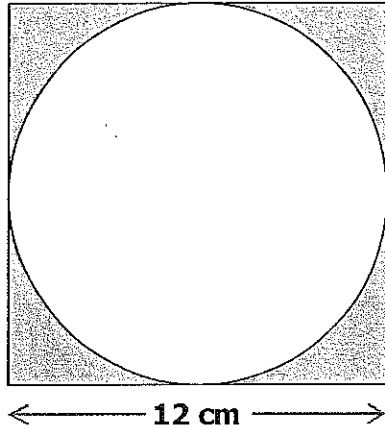
Complex Areas

Pre-Algebra

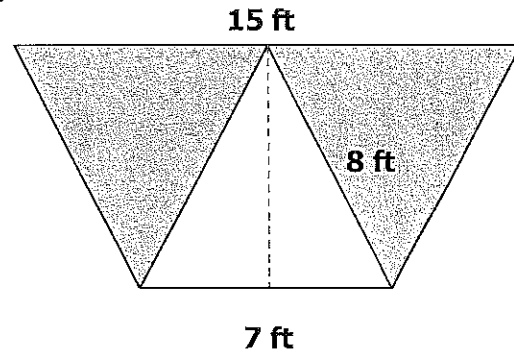
Name: _____

Find the area of each shape. You must show your work!

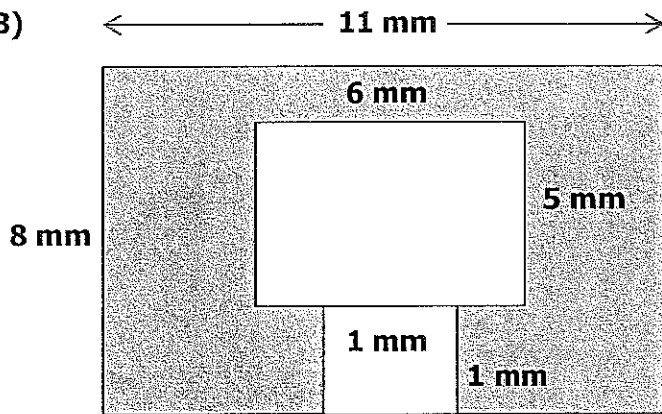
1)



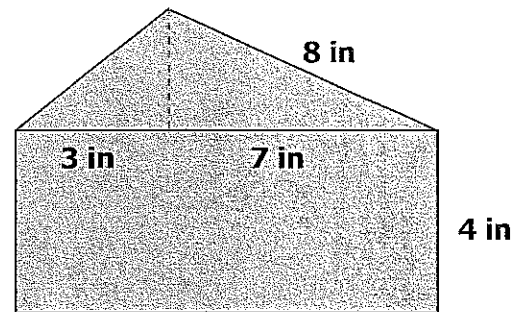
2)



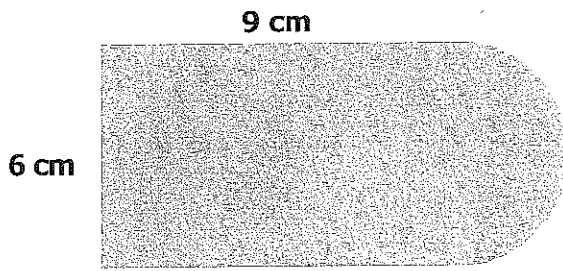
3)



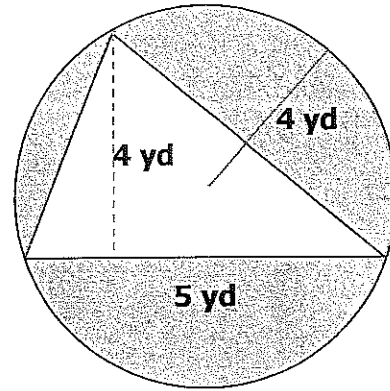
4)



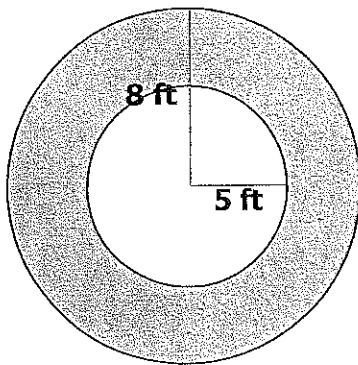
5)



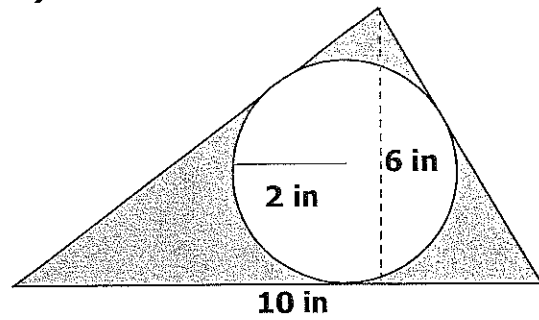
6)



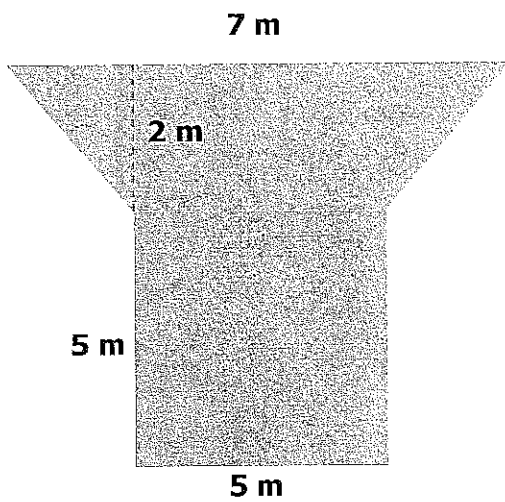
7)



8)



9)



10)

